

OFFSET CORNER ENTRY

EN 14428:2015+A1:2018 (shower enclosures)

EN 12150-1:2013 (glass in building)

6mm Toughened Safety Glass

100mm Product Adjustment

1950mm Height

25mm Wall Profile Extension Available

Patented Twist + Lock Adjustment

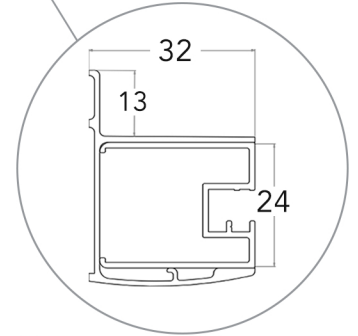
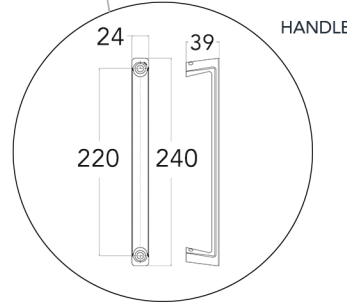
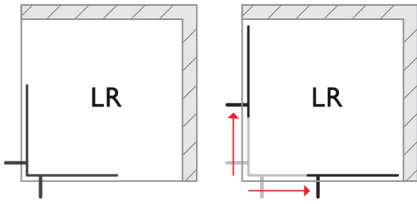
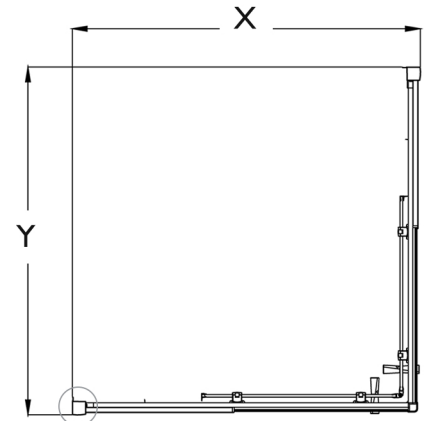
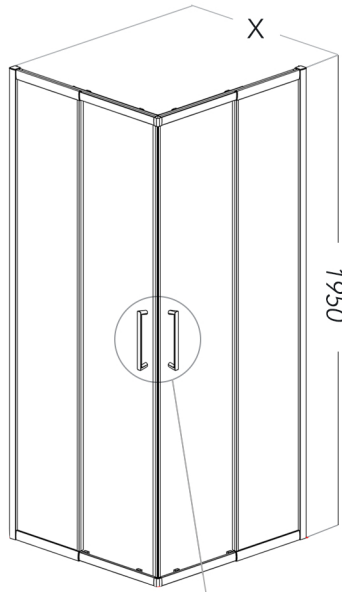
Innovative Silent Wheel Track System

CLEANEASY Coating

Reversible

Sleek Chrome Plated Door Handles

20 Year Guarantee Against Manufacturing Defects*



PROFILE
(SAME ON BOTH SIDES)

SPECIFICATIONS

PRODUCT SIZE	ADJUSTMENT		DOOR ACCESS	PRODUCT WEIGHT	PRODUCT CODE SILVER
	X (min - max)	Y (min - max)			
700 X 800mm	650 - 700mm	740 - 800mm	335mm	24.50kg + 27.50kg	STCE70X80SSC
700 X 900mm	650 - 700mm	840 - 900mm	370mm	24.50kg + 30.50kg	STCE70X90SSC
700 X 1000mm	650 - 700mm	940 - 1000mm	407mm	24.50kg + 33.50kg	STCE70X100SSC
700 X 1200mm	650 - 700mm	1140 - 1200mm	425mm	24.50kg + 39.50kg	STCE70X120SSC
800 X 900mm	740 - 800mm	840 - 900mm	405mm	27.50kg + 30.50kg	STCE80X90SC
800 X 1000mm	740 - 800mm	940 - 1000mm	442mm	27.50kg + 33.50kg	STCE80X100SSC
800 X 1200mm	740 - 800mm	1140 - 1200mm	462mm	27.50kg + 39.50kg	STCE80X120SSC
900 X 1000mm	840 - 900mm	940 - 1000mm	493mm	30.50kg + 39.50kg	STCE90X100SC
900 X 1200mm	840 - 900mm	1140 - 1200mm	493mm	30.50kg + 39.50kg	STCE90X120SC

+353 42 966 8000 | flairshowers.com | sales@flairshowers.com

All data presented may be subjected to change without prior notice. Flair Showers does the best it can to provide accurate information. Flair Showers unfortunately cannot guarantee this, and accept no liability for any information / advice given.

* Excludes perishable items such as rollers, seals, hinges, etc.

